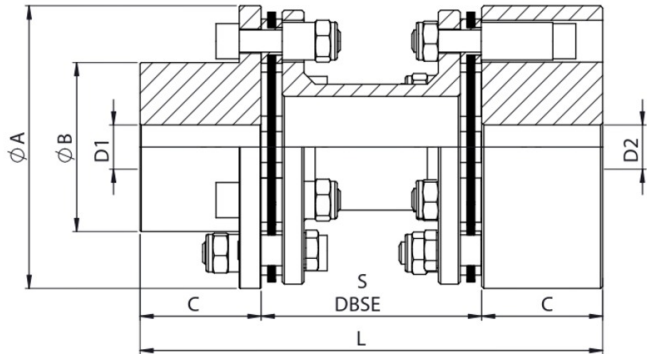


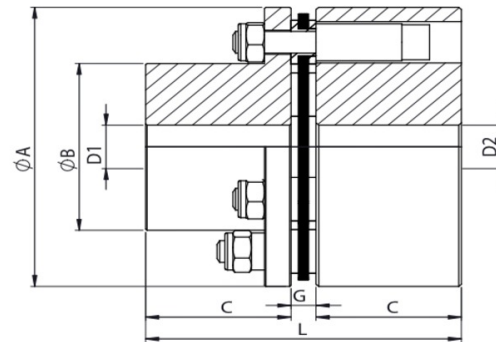
Multi Disc Couplings

KDF



KDF - 10 TO 2500

KDF1



KDF1 - 10 TO 2500

Dimensions & Technical Data KDF

Size	Kw @ 100 Rpm	Rated Torque (Nm)	Max. Speed Rpm	Dimensions (mm)									Min. DBSE Appx. Weight (Kg)
				Bore Range			ØA	ØB	C	Min. DBSE 'S'	Std. DBSE 'S'	Length 'L'	
				Min.	Max. D1 Type I	Max. D2 Type II							
10	1.1	96	7500	10	22	25	63	35	30	50	100/140	160/200	1.2
35	2.3	230	7000	10	30	38	82	45	40	50	100/140/180	180/220/260	2.0
95	6.5	620	6000	15	40	50	102	57	45	60		190/230/270	3.9
170	12.5	1200	5200	15	52	70	128	77	55	75		210/250/290	7.0
220	20.2	1912	4800	20	65	80	146	94	60	85	140/180/250	220/260/300	10.0
400	36.0	3460	4400	25	80	100	176	115	70	100		320/360/430	17.0
520	58.3	5580	4200	30	90	115	197	132	90	110	140/180/250	330/370/440	27.0
1000	74.0	7082	4000	40	105	130	225	147	95	130		410/480/530	35.5
1300	108.5	10380	3800	45	115	140	250	162	105	140	180/250/300	390/460/510	54.0
2000	152.0	14535	3700	50	120	155	275	178	115	165		440/510/560	73.0
2500	196.0	18710	3600	60	135	165	300	190	130	170			95.0

Dimensions & Technical Data KDF1

Size	Kw @ 100 Rpm	Rated Torque (Nm)	Max. Speed Rpm	Dimensions (mm)								Min. DBSE Appx. Weight (Kg)
				Bore Range			ØA	ØB	C	DBSE 'G'	Length 'L'	
				Min.	Max. D1 Type I	Max. D2 Type II						
10	1.1	96	7500	10	22	25	63	35	30	6.5	66.5	1.0
35	2.3	230	7000	10	30	38	82	45	40	6.5	86.5	1.8
95	6.5	620	6000	15	40	50	102	57	45	8	98	3.2
170	12.5	1200	5200	15	52	70	128	77	55	9.5	119.5	5.8
220	20.2	1912	4800	20	65	80	146	94	60	12	132	8.5
400	36.0	3460	4400	25	80	100	176	115	70	13	153	14.0
520	58.3	5580	4200	30	90	115	197	132	90	14.5	194.5	22.0
1000	74.0	7082	4000	40	105	130	225	147	95	16	206	30.0
1300	108.5	10380	3800	45	115	140	250	162	105	19.5	229.5	42.5
2000	152.0	14535	3700	50	120	155	275	178	115	21.5	251.5	57.0
2500	196.0	18710	3600	60	135	165	300	190	130	23.5	283.5	76.0

For the higher sizes please contact us. We reserve the right to alter or change specifications without prior notice. Without DBSE & Non standard DBSE available as per customer request. Weight may be differ as per DBSE. Hubs selection available I/I, II/I, III/I

Material Specifications

Hub	All Size	IS 1570
Spacer	All Size	IS 1570
Bolts	All Size	High Tensile
Disc Pack	All Size	SS 301/304

*Other options are also available in material specifications on request