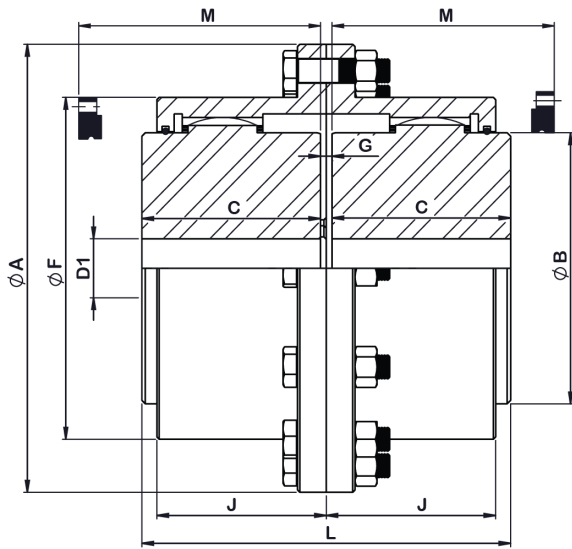
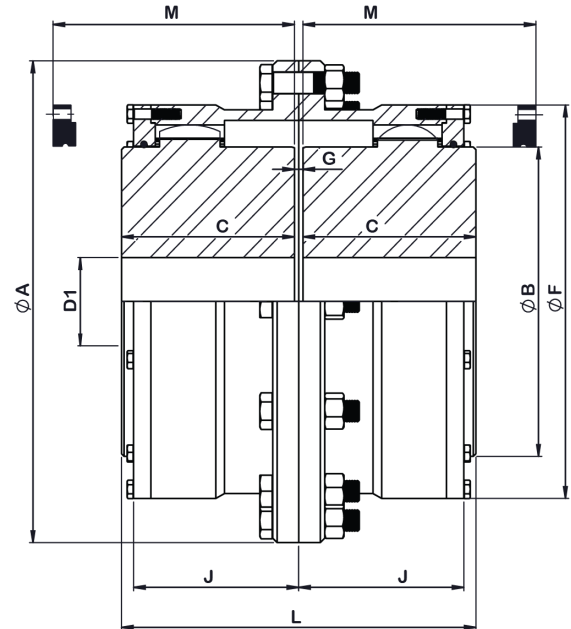


## Full Gear Couplings

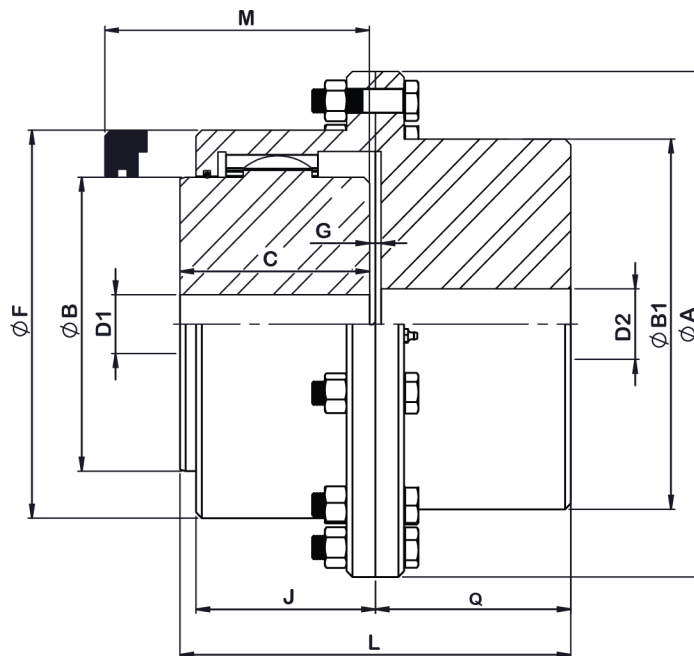


KFG - 100 TO 109



KFG - 110 TO 119

## Half Gear Half Rigid Couplings



KHG - 100 TO 110

# Full & Half Gear Half Rigid Couplings

**KFG / KHG**

\*KFG = Full Gear Couplings

\*KHG = Half Gear Half Rigid Couplings

## Dimensions & Technical Data

Size	Kw @ 100 Rpm	Max. Torque (Nm)	Max. Speed Rpm	Dimensions(mm)														No. Of Bolts	#		
				Bore Range			ØA	C	ØB	ØB1	ØF	Q	M	G	J	L	Bolt Size		Appx. Weight (Kg)		M.I. (Kg-m <sup>2</sup> )
				PB.	Max. (D1)	Max. (D2)													KFG	KHG	
100	6	559	8000	10	35	45	120	45	50	65	75	46.5	54	3	39	93	M 12 X52	6	4.3	4.4	0.099
101	12	1127	6730	20	50	60	170	55	65	85	110	57.5	67	5	49	115	M 12 X 52	6	10	11	0.029
102	29	2804	6150	20	60	75	185	70	85	110	125	72.5	83	5	62	145	M 12 X 52	6	15	16	0.057
103	53	5047	5200	30	75	90	220	85	105	130	150	87.5	103	5	78	175	M 16 X 65	6	26	26	0.142
104	100	9557	4580	40	90	110	250	105	130	160	175	107.5	124	5	96	215	M 16 X 65	8	40	41	0.314
105	153	14605	3950	50	110	130	290	110	155	185	200	115	136	10	106	230	M 20 X 90	8	60	63	0.392
106	235	22444	3550	50	125	150	320	125	175	215	230	130	150	10	117	260	M 20 X 90	8	86	85	1.037
107	412	39303	3270	50	140	170	350	140	205	240	260	145	174	10	134	290	M 20 X 90	10	118	120	1.73
108	529	50472	3015	50	160	200	380	155	230	285	290	160	187	10	147	320	M 20 X 90	12	157	160	2.74
109	658	62821	2650	50	180	220	430	165	250	315	330	170	196	10	156	340	M 24 X 80	10	215	210	4.55
110	963	91923	2330	100	220	260	490	180	310	370	390	185	216	10	171	370	M 24 X 80	12	310	290	8.21
111	1289	123065	2100	100	260	-	545	200	350	-	445	-	245	10	191	410	M 24 X 90	14	438	-	14.03
112	1723	164516	1940	100	300	-	590	240	400	-	490	-	289	10	230	490	M 24 X 90	14	633	-	25.95
113	2908	277694	1600	100	330	-	680	260	440	-	555	-	312	15	241	535	M 30 X 120	14	888	-	46.12
114	4019	383786	1500	120	370	-	730	280	500	-	610	-	341	15	265	575	M 30 X 120	16	1147	-	69.199
115	4812	459515	1400	150	410	-	780	320	540	-	660	-	385	15	303	655	M 30 X 120	18	1462	-	107.78
116	7028	671165	1200	180	455	-	900	350	625	-	755	-	423	20	333	720	M 36 X 130	18	2000	-	187.78
117	9997	954665	1100	200	520	-	1000	400	720	-	855	-	489	20	384	820	M 36 X 130	20	3150	-	428.97
118	13236	1263938	1000	250	610	-	1100	450	810	-	950	-	533	20	428	920	M 36 X 130	20	4210	-	615.1
119	17454	1666744	900	300	710	-	1250	485	910	-	1050	-	559	30	444	1000	M 48 X 170	20	6280	-	1154.12

In view of our constant endeavour to improve quality of our products, we reserve the right to alter or change specifications without prior notice.

# Weight & Moment of Inertia are at pilot bore. For the higher sizes of KHG couplings please contact us.

### Material Specifications

Sleeve	Forged Steel	up to 110	IS 1570
Sleeve	Cast Steel	111-119	IS 1030
Hub	Forged Steel	All Size	IS 1570
End Cover	Steel	111-119	IS 2062
Bolts	High Tensile	All Size	IS 1570
O Ring	NBR	All Size	IS 1719

\*Other options are also available in material specifications on request

\*Oil seal option available onwards KFG-111 on request

\*KFG/KHG couplings are also available with spacer, brake drum, brake disc, floating shaft on request